

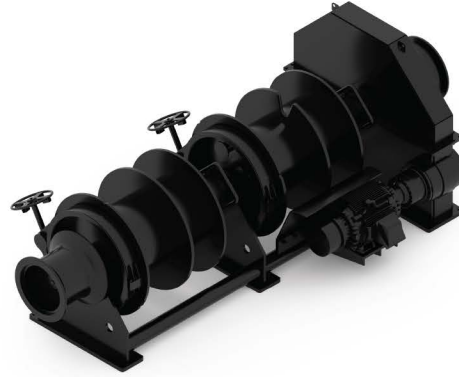
# WINCHES



SINCE 1958

DECK EQUIPMENT

DD-137



## DD-137 Double Drum Mooring Winch

### Specifications

**Max Line Pull:** 27.5 tn @ 33 fpm

**Light Line Pull:** 9.2 tn @ 100 fpm

**Wide Drum  
Storage Capacity:** 1000 ft

**Narrow Drum  
Storage Capacity:** 650 ft

**Rope Diameter:** 1.38 in

**Brake Capacity:** 45 tn

**Weight W/O Rope:** 27,000 lb

INTERCON winches and deck machinery operate worldwide in a wide range of applications. For over 50 years, Intercon has designed and manufactured deck equipment to meet the exact needs of its customers – whether that need is met from Intercon's full line of standard products or from customized one-of-a-kind machines or systems.

**INTERCON.COM**

info@intercon.com

+1 (816) 741-0700